



REFERENCE : KP620

SIZES : S/M_L/XL

COMPOSITION :

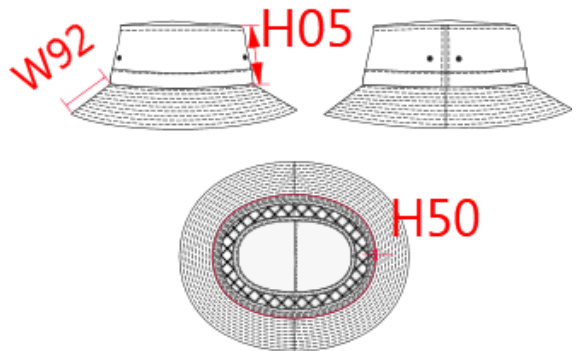
Main fabric : Polyamide taslan - 100 For outside, top inside, lining peak 100%polyamide

Main fabric : Polyester / Elastane single jersey 85/15 - 170 For contrasted band and print eyelets 85%polyester / 15%elastane

Mesh 1 : Polyester mesh - 70 For inner top 100%polyester

ARTICLE WEIGHT :

70 gr/pc



| DESCRIPTION |
|---|
| Français : Chapeau à bords larges |
| English : Hat with wide hems |
| Nederlands : Hoed met brede randen |
| Deutsch : Hut mit breiter Krempe |
| Español : Sombrero con ala ancha |
| Italiano : Cappello outdoor a tesa larga |
| Português : Chapéu com aba larga |

| COLORS | PANTONE SERIGRAPHIE |
|-------------|------------------------|
| Navy | 433C |
| Smooth grey | 443C |

| MEASUREMENT | | | | | | |
|--|-----|------|--|--|--|--|
| Description | S/M | L/XL | | | | |
| H50 Tour de tête / Head measurement | 58 | 60 | | | | |
| H05 Hauteur totale chapeau / Cap total height | 9 | 9 | | | | |
| W92 Width of the brim | 6 | 6 | | | | |

| CARE LABEL | | | | |
|------------|--|--|--|--|
| | | | | |

| PACKING | |
|---------|--|
| Box | 100 pcs / box All sizes => L:60cm W:40cm H:24cm GW:8kg NW:6.5kg |